

## Long sliding clip

### Designation:

For different seam heights:

**25 mm (standard)**  
**28 mm**  
**30 mm**  
**32 mm**  
**38 mm**

Article-No.: HA-5360-70  
Article-No.: HA-5360-728  
Article-No.: HA-5360-730  
Article-No.: HA-5360-732  
Article-No.: HA-5360-738

**Material:**

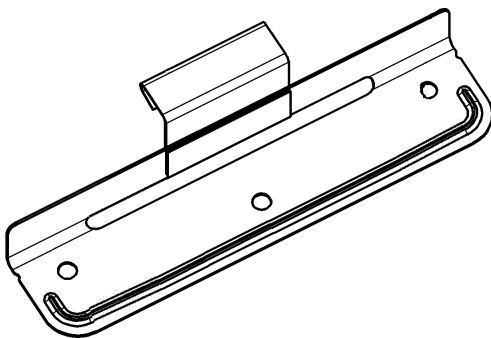
**Stainless steel V2A**  
**Stainless steel V4A**

**Material-No. 1.4301**  
AISI: 304  
Material-No. 1.4401  
as special design available

**Thickness:**

**Bottom part 0,5 mm**  
**Upper part 0,4 mm**

### Illustration:



### Description:

#### **Long sliding clip for angle- and double standing seam**

Upper- and bottom part are pre-assembled.  
Attach on the pre-profiled standing seam.

Measurements and material thickness according to the expert regulations of the German plumping crafts.

Due to a wider sliding range of 75 mm, suitable for longer sheets. Usable lengths as given from the expert regulations of the German plumping crafts.

**Packing unit:**

400 pcs.

One of its features is the high durability during extra strong demands. For this model we use a bottom part with 0.5 mm thickness. Bottom part also comes with beading and rounded edges. Based on this innovation the clips barely bend up. It is most important to mount the clips absolutely accurate! It's indispensable to rework protruding nails or screws to avoid the damaging of the roof layer. Due to the special shaping of the upper part, a slight clamp-effect is achieved. As a result, the attached clips will not slip down during the assembly process.

**Please note our large product range around metal roofs: snow retention systems, step brackets, solar holders and our program about clips. Further informations you will find on our homepage.**