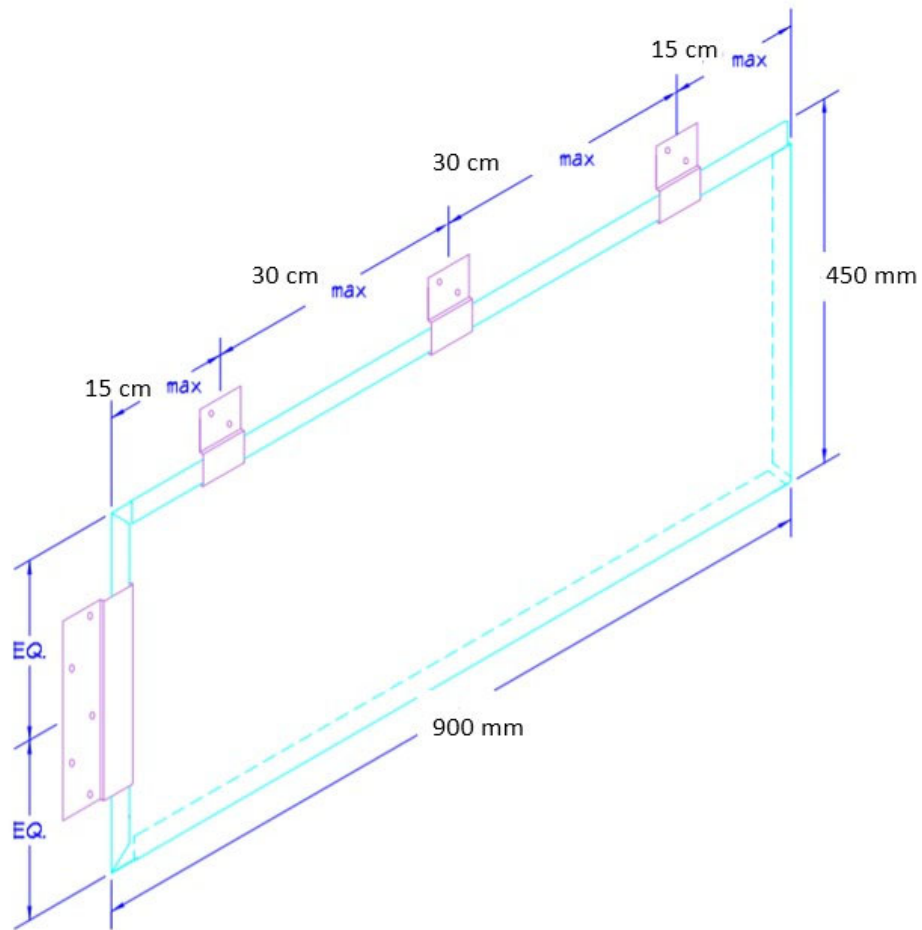


Flatlock Panel installation guide line:



Depending on the height of the panel it is recommended to install a longer clip to accommodate for the natural lift from the overlap between the panels.

Clip spacing for Flatlock panels must be tested by local engineers, blow up testing to your Cod of Practice requirement.

Flatlock Cladding Panels:

Typical Panel Coverage:	900 x 400 mm
Maximum recommended Panel Coverage:	2500 x 400 mm
Average minimum clips per m ² : (Depending on wind load.)	6 pcs / 1-2 cross weld clips

Radius: Flatlock panel can be curved in any direction and any radius.

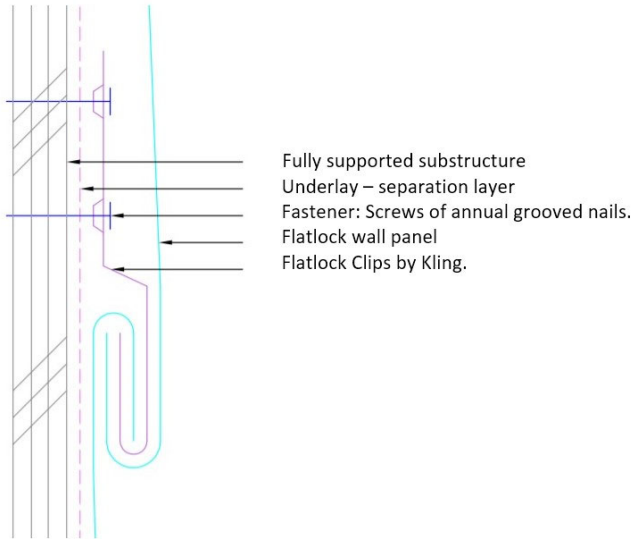
Various clips are available to accommodate different open hem setups.



Standard drawing of Flatlock detail:

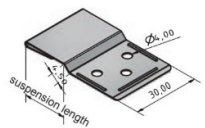
With Flatlock clip.

Flatlock clips are made of 0.4 mm stainless steel material to keep the thickness to a minimal build-up in the seam. Installation with stainless steel grooved nails (loading capacity class 3/C) 2.5 x 25 mm or stainless-steel screws 4.0 x 25 mm (4.0 x 30 mm)



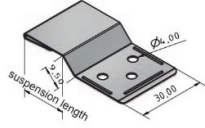
Kling Clips are available in the following dimensions:

Sliding Clips, sink 4,5 mm



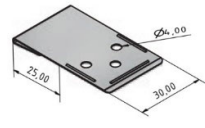
Envelope	Article-No.
20 mm	P HE142045
25 mm	P HE142545
30 mm	P HE143045

Sliding Clips, sink 9,5 mm



Envelope	Article-No.
20 mm	P HE142095
25 mm	P HE142595
30 mm	P HE143095

Sliding Clips, without sink



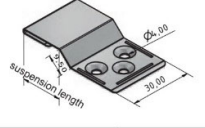
Envelope	Article-No.
without sink	P HE14050

Sliding Clips PLUS, sink 4,5 mm



Envelope	Article-No.
20 mm	P HE142045PL
25 mm	P HE142545PL
30 mm	P HE143045PL

Sliding Clips PLUS, sink 9,5 mm



Envelope	Article-No.
20 mm	P HE142095PL
25 mm	P HE142595PL
30 mm	P HE143095PL

Please check availability with the Fribesco Team.

Engage an experienced installer who has completed metal wall panel system installation similar in material, design, forming method, and extent to that indicated for this Project and with a record of successful in-service performance.